

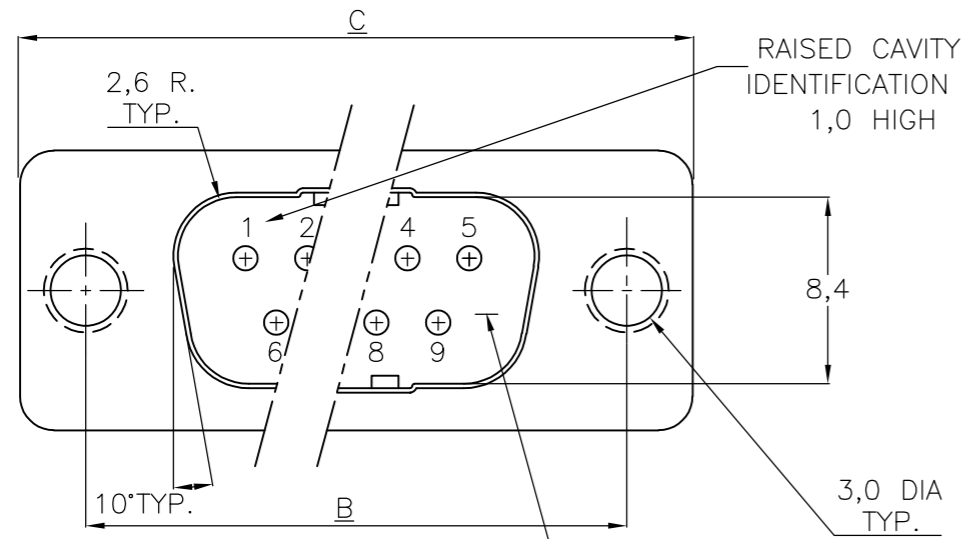
THIS DRAWING IS UNPUBLISHED. RELEASED FOR PUBLICATION
 © COPYRIGHT BY TYCO ELECTRONICS CORPORATION. ALL RIGHTS RESERVED.

LOC	DIST	REVISIONS					
		P	LTR	DESCRIPTION	DATE	DWN	APVD
H	-		J	EH01-1520-03	22-12-03	JvdH	PDJ
			K	ECR-07-008767	16-07-07	BSV	KMA
			K1	ECR-08-003235	16-05-08	AEG	KMA

NOTES:

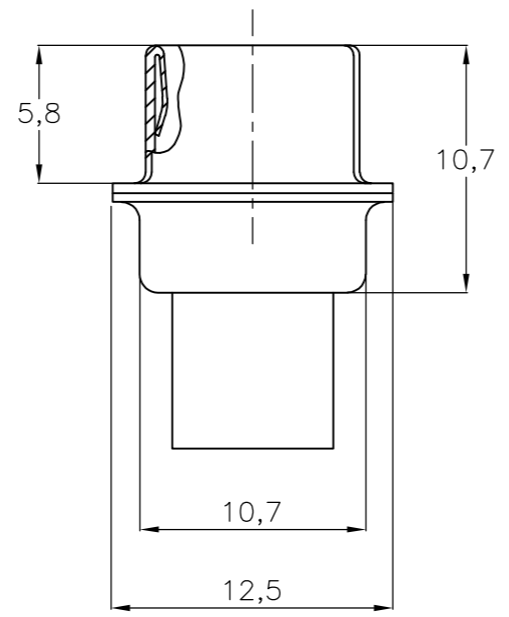
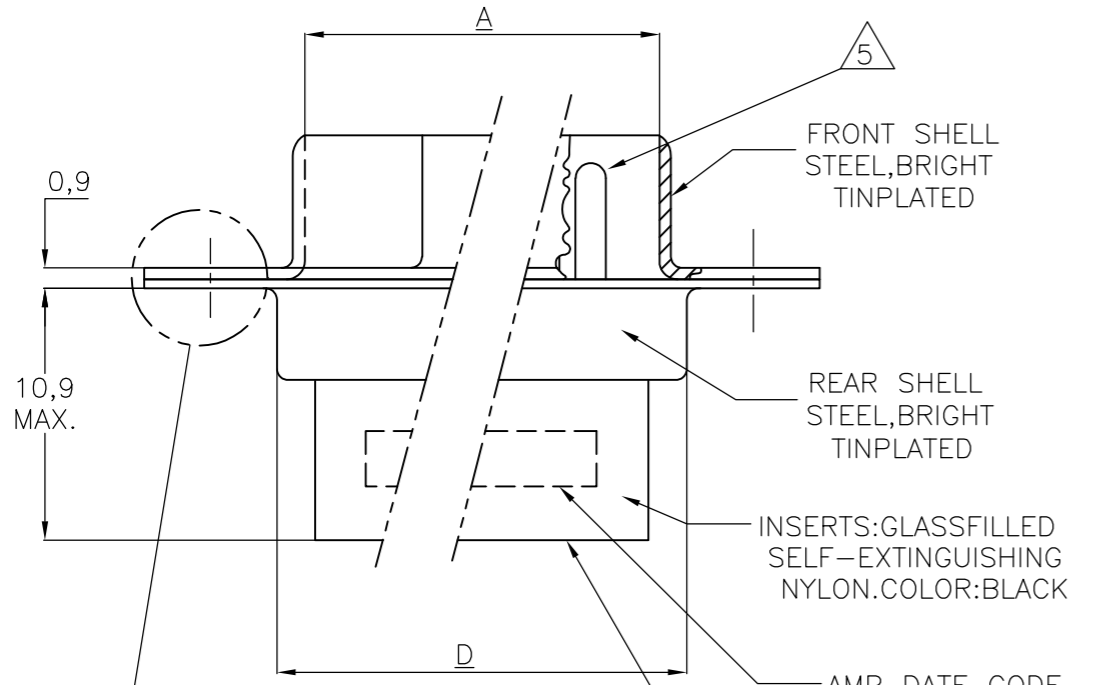
- THIS PLUG ACCEPTS SIZE 20 PIN CONTACTS.
- MAXIMUM WIRE INSULATION RECOMMENDED FOR USE WITH THIS PLUG IS 1,73 DIA. MAX..
- RETENTION TINES ARE AN INTEGRAL PART OF INSERT.
- FOLLOWING INSERTION/REMOVAL TOOLS ARE RECOMMENDED FOR USE WITH THESE CONNECTORS:

32-28AWG/28-24AWG CONT's	24-20AWG CONTACTS
91067-3 INSERTION/REMOVAL	91067-2 INSERTION/REMOVAL
726363-1 INSERTION ONLY	726363-1 INSERTION ONLY
	726364-1 REMOVAL ONLY
- CONTACTS SHOWN FOR ILLUSTRATION ONLY, NO PART OF CONNECTOR PACKAGE ;MUST BE ORDERED SEPARATELY.
- RAISED CAVITY IDENTIFICATION NUMBERS ON WIRE SIDE ARE WHITENED FOR -9 P/N'S.



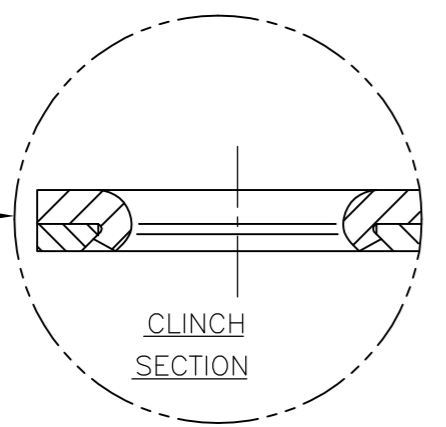
SIZE 1 THRU 4 CONFIGURATION

MATING FACE



D	C	B	A	NR.OF POS	SIZE	TE ORDER NUMBER
55,3	66,9	61,1	52,9	50	5	167296-9 167296-1
57,7	69,3	63,5	55,4	37	4	167295-9 167295-1
41,3	53,0	47,0	39,0	25	3	167294-9 167294-1
27,5	39,1	33,3	25,3	15	2	167293-9 167293-1
19,3	30,8	25,0	16,9	9	1	167292-9 167292-1

FOR DETAILS SIZE 5, SEE SHEET 2.

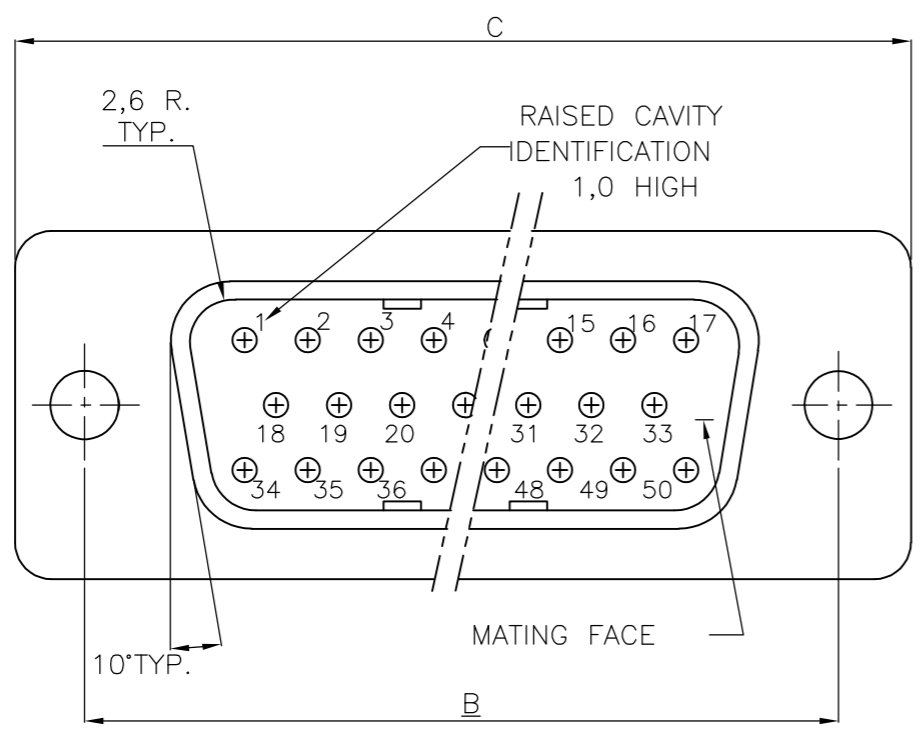


6

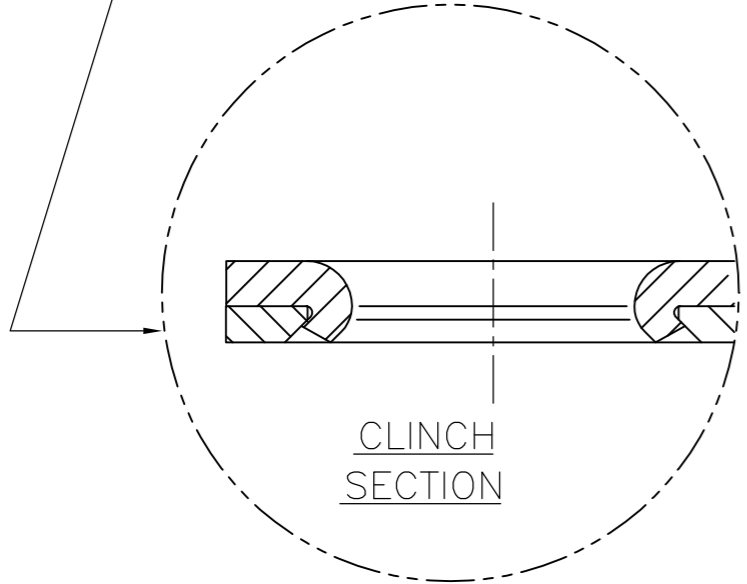
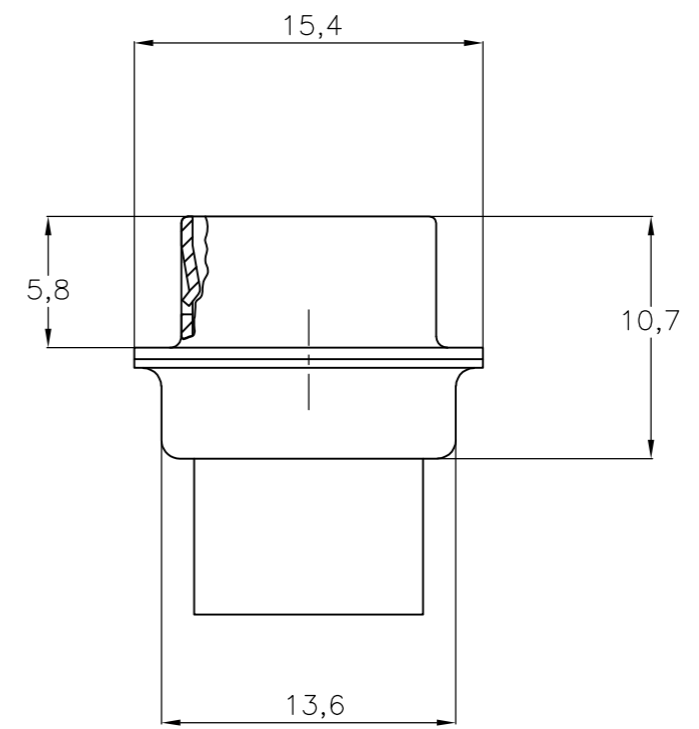
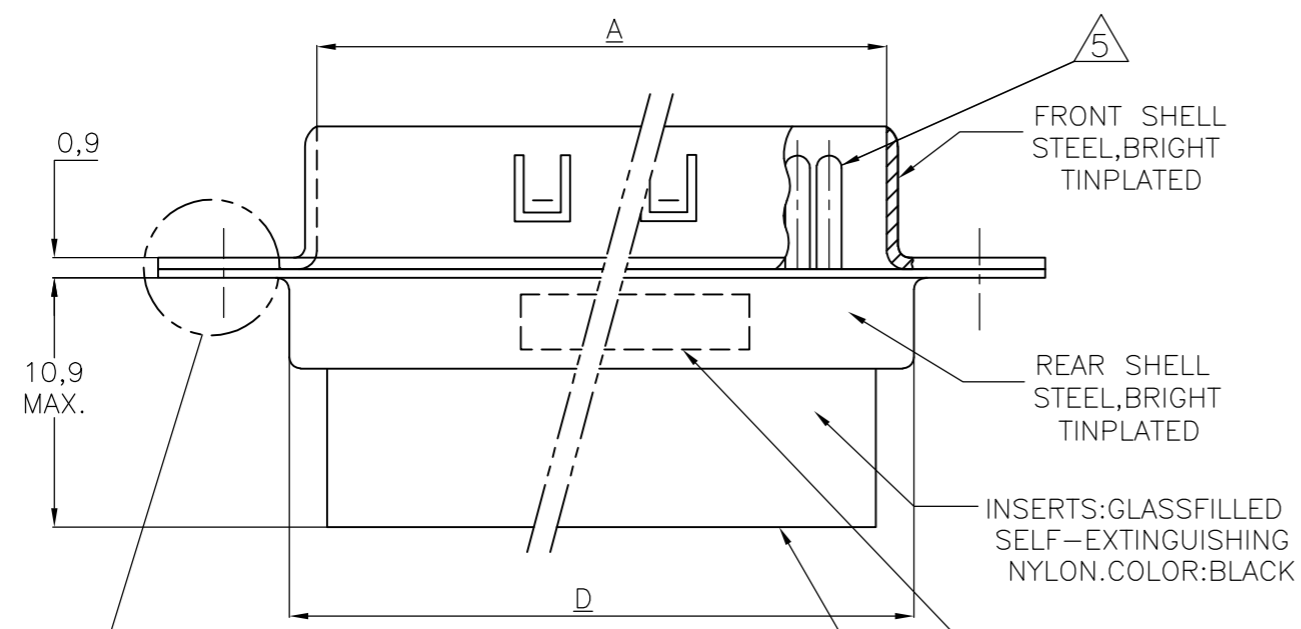
THIS DRAWING IS A CONTROLLED DOCUMENT.		DWN B.MOOIJ 20NOV87	Tyco Electronics Corporation 's-Hertogenbosch, Nederland	
DIMENSIONS: mm		CHK -	NAME HDP-20 PLUG CONNECTOR, SIZE 1-4	
TOLERANCES UNLESS OTHERWISE SPECIFIED:		APVD -	PRODUCT SPEC -	
0 PLC ± -		PRODUCT SPEC -	APPLICATION SPEC -	
1 PLC ± -		APVD -	SIZE A3	
2 PLC ± -		PRODUCT SPEC -	CAGE CODE 00779	
3 PLC ± -		APPLICATION SPEC -	DRAWING NO C-167292	
4 PLC ± -		APVD -	RESTRICTED TO -	
ANGLES ± -		WEIGHT -	SCALE NTS	
FINISH -		CUSTOMER DRAWING		SHEET 1 OF 2
				REV K1

THIS DRAWING IS UNPUBLISHED. RELEASED FOR PUBLICATION
 © COPYRIGHT - BY TYCO ELECTRONICS CORPORATION. ALL RIGHTS RESERVED.

LOC	DIST	REVISIONS			
P	LTR	DESCRIPTION	DATE	DWN	APVD
H	-	SEE SHEET 1	-	-	-



SIZE 5
CONFIGURATION



THIS DRAWING IS A CONTROLLED DOCUMENT.		DWN B.MOOIJ	20NOV87	Tyco Electronics Corporation 's-Hertogenbosch, Nederland	
DIMENSIONS: mm		CHK -	APVD -	NAME HDP-20 PLUG CONNECTOR, SIZE 5	
TOLERANCES UNLESS OTHERWISE SPECIFIED:		PRODUCT SPEC -		APPLICATION SPEC -	
MATERIAL -		FINISH -		WEIGHT -	RESTRICTED TO -
		SIZE A3		CAGE CODE 00779	DRAWING NO C-167292
		CUSTOMER DRAWING		SCALE NTS	SHEET 2 OF 2 REV K1